



BMWC-L102S-B1/C1/C2



BMWC-L102S-F1



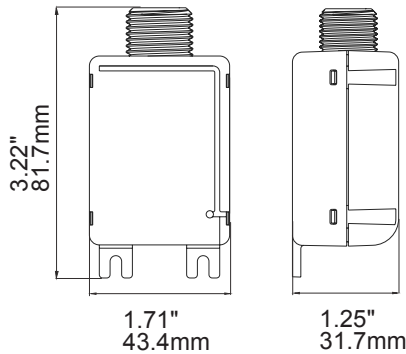
DESCRIPTIONS

The BMWC-102S Series Bluetooth Fixture Controller enables seamless conversion of luminaires to wireless control. Device settings and commissioning are configured through the BlueMesh+mobile application. Eco Sensor connectivity options include a PH2.0 port for plug-and-play, direct wire termination, or daisy-chain networking utilizing the RJ45 connector.

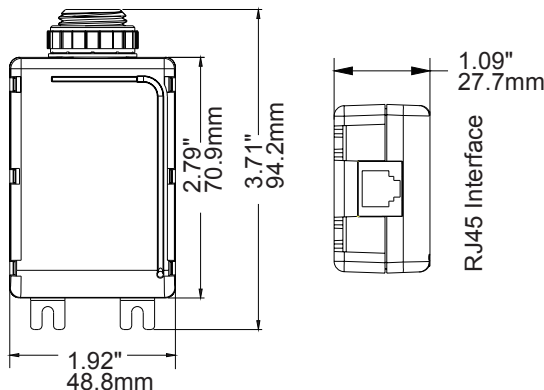
PHYSICAL DIMENSIONS

Unit:inch/mm

BMWC-L102S-B1/C1/C2



BMWC-L102S-F1



TECHNICAL DATA

- Input Voltage: 120-277VAC or 120-347VAC Input
- Frequency: 50/60Hz
- Input Current: 6A Max
- Dimming: 0-10VDC dimmable single or dual channel output
- Bluetooth Transmit: 200ft Max
- Radio Frequency: 2.4GHz ± 75MHz
- Bluetooth Version: 5.0
- Housing Material: UL 94-5VA
- Indoor Use Only
- Operating Temperature: -30°C to 65°C, -22°F to 149°F
- Storage Temperature: -30°C to 85°C, -22°F to 185°F
- IP Rating: IP20
- Color: White
- Warranty: 5 years warranty
- Comply to UL8750,UL2043,RoHS

1/2 inch US standard knockout

Socket Mounting Dimensions

Size	T.P.I	Major Dia.
	inch	inch
R1/2	14	0.825

ORDERING INFORMATION-CONTROLLER

Model	Sensor Input	Voltage	Relay Rating	Line Voltage Wire Gauge	0-10V Wires	Dual 0-10V (CCT Tunable)	PH2.0 ECO CONNECTOR**	RJ45 ECO***
BMWC-L102S-B1-1-BLE-KL	Microwave****	120-277V	6A	18 Gauge	X		X	
BMWC-L102S-C1-1-BLE-KL	PIR + DLH*				X		X	
BMWC-L102S-C2-1-BLE-KL					X	X	X	
BMWC-L102S-F1-8-BLE-KL		120-347V			X		X	X

* PIR + DLH - PIR Occupancy Sensing and Daylight Harvesting.

** PH2.0 ECO CONNECTOR - Used to plug directly into the ECO-Sensor family of sensors.

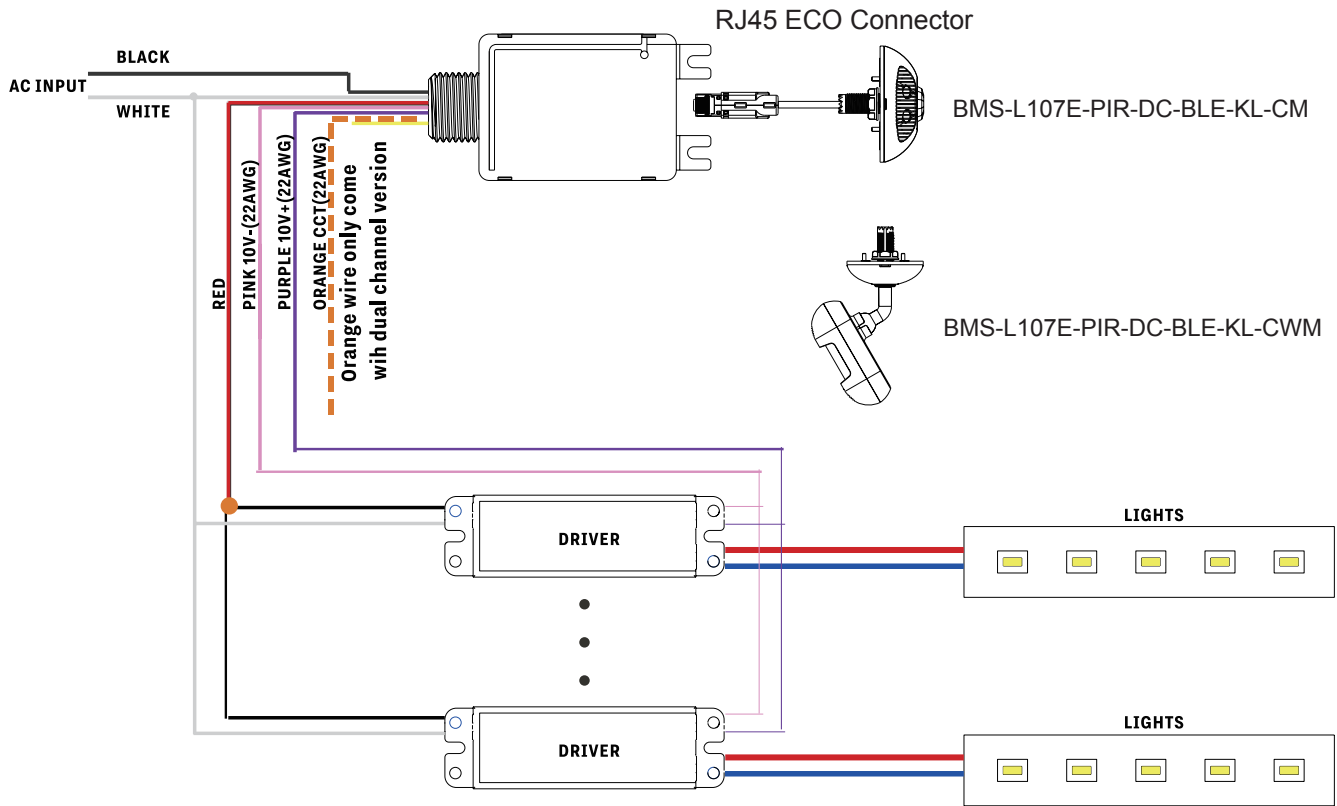
***RJ45 ECO - RJ45 jack provided for using CAT5 cable to connect one or daisy chain multiple ECO-Sensor products. (requires RTP splitter, sold separately)

****Adjustable sensitivity, does not support DLH.

ORDERING INFORMATION - ACCESSORIES

Model	Description	Works With	Mounting Height Range
BMS-L105E-MSW-DC-BLE-KL	Microwave In-Fixture Sensor	Microwave Models Only	8-20'
BMS-L105E-PIR-DC-BLE-KL	Round, 1/2" KO Sensor	DLH* Compatible Power Packs	8-12'
BMS-L105HE-PIR-DC-BLE-KL	Round, 1/2" KO High Bay Sensor		12-25'
BMS-L108E-PIR-DC-BLE-KL	OEM Install Rectangular Sensor		8-12'
BM-RTP	Converter from RJ45 to PH2.0 connector (supports daisy chaining of devices)	Works with PPA102S.F1 only	N/A
BMS-L107E-PIR-DC-BLE-KL-CM	Low-Voltage, Dual-Tech Ceiling Sensor		8-12'
BMS-L107E-PIR-DC-BLE-KL-CWM	Low-Voltage, Dual-Tech Wall/Ceiling Sensor		Varies

BMWC-L102S-F1



WARRANTY

Five year limited warranty.

Specifications subject to change without notice.